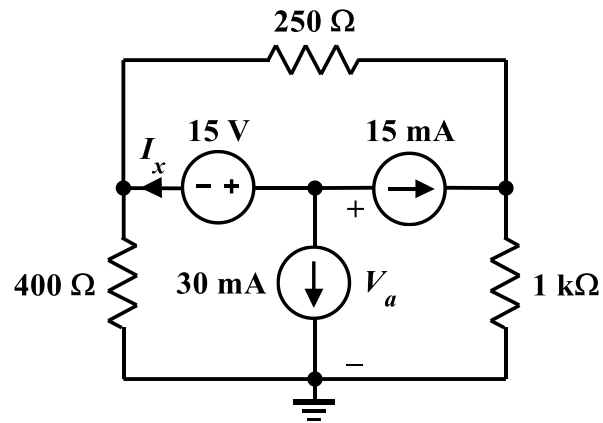


EE 2240  
**Homework Problem #058**

Use LTspice to determine  $V_a$  and  $I_x$ .



Submit a printed copy of your netlist and a printed copy of your output. Highlight the required results.